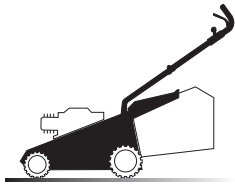
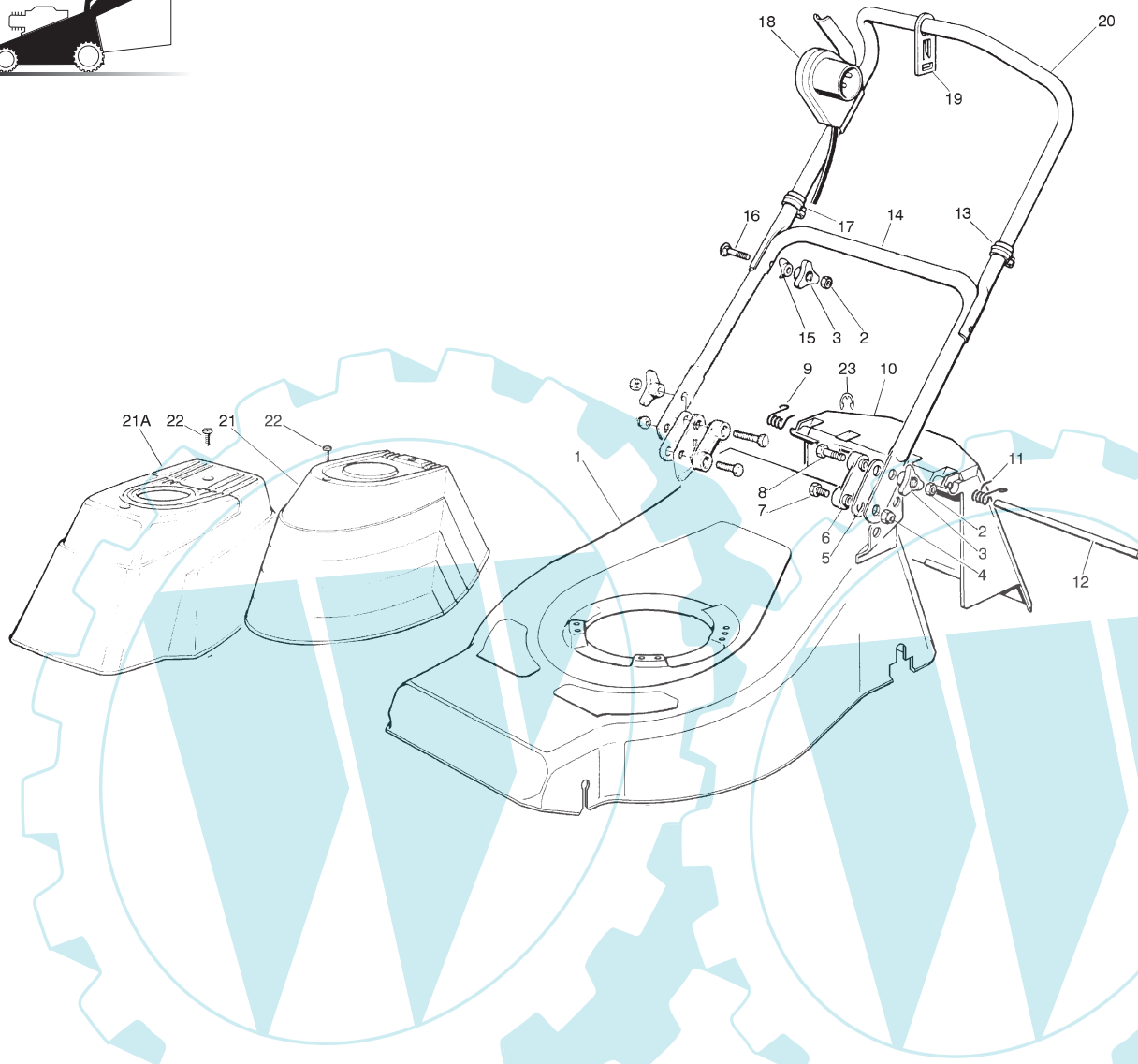


1



01D.033



- H 350
- K 350
- K 390
- C 350
- C 390
- NG 410 / 410 S
- NG 460
- NG 414
- NG 464
- NG 464 TR
- NG 464 TR-E
- NG 504
- NG 504 TR
- NG 504 TR-E
- R 430 / 430 S
- R 480
- R 430 TR
- R 434
- R 484
- R 534
- R 484 TR / TR-E
- R 534 TR / TR-E
- RL 430 / 430 S
- RL 480
- RL 430 TR
- RL 434
- RL 484
- RL 534
- RL 484 TR
- RL 484 TR-E
- RL 534 TR
- RL 534 TR-E
- TD 430 / 430 S
- TD 480
- TD 430 TR
- TD 434
- TD 484
- TD 534
- TD 484 TR
- TD 484 TR-E
- TD 534 TR
- TD 534 TR-E
- TDL 430 / 430 S
- TDL 480
- TDL 430 TR
- TDL 434
- TDL 484
- TDL 534
- TDL 484 TR
- TDL 484 TR-E
- TDL 534 TR
- TDL 534 TR-E
- CA 430
- CA 480
- CA 434
- CA 484
- CA 534
- CA 430 TR
- CA 434 TR
- CA 484 TR / TR-E
- CA 534 TR / TR-E
- CAL 430
- CAL 480
- CAL 434
- CAL 484
- CAL 534
- CAL 430 TR
- CAL 434 TR
- CAL 484 TR / TR-E
- CAL 534 TR / TR-E
- T 430 / 430 S
- T 480
- T 434
- T 484
- T 484 TR
- T 484 TR-E
- PAN 504
- PAN 504 TR
- PAN 504 TR-E
- PAN 504 TR-3S
- PAN 504 TR 3S
- NP 534
- NP 534 TR
- NP 534 TR-E
- NP 534 TR 3S
- NP 534 TR-E 3S
- S 474 L

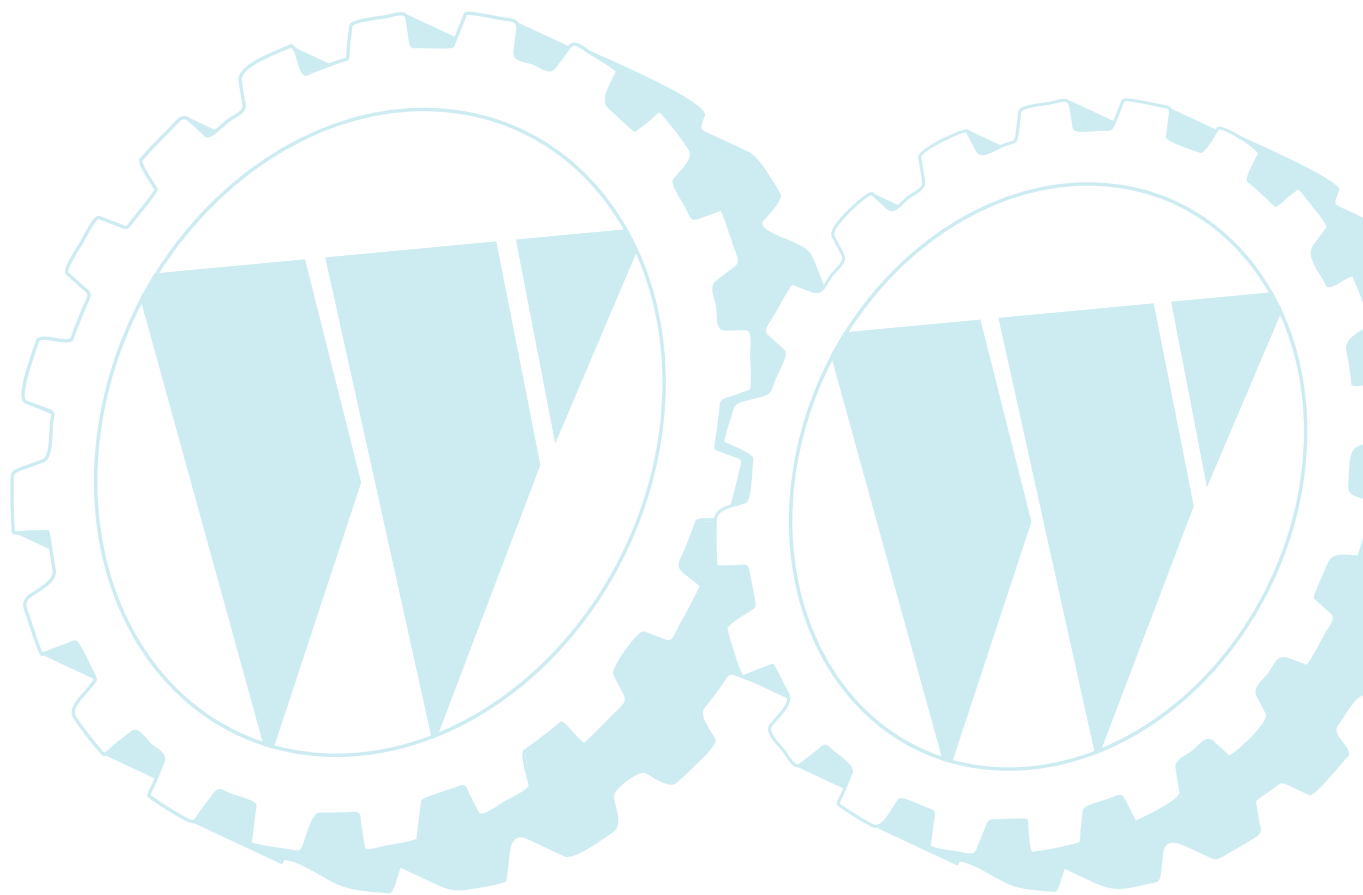
01T.033

| Pos | Code        | Q.ty | Descrizione             | Description        | Description                 | Beschreibung     |   |
|-----|-------------|------|-------------------------|--------------------|-----------------------------|------------------|---|
| 1   | 81001026/ 0 | 1    | CHASSIS ROSSO           | DECK RED           | CHÂSSIS ROUGE               | GEHÄUSE ROTES    | RL 430  |
| -   | 81001009/ 0 | 1    | CHASSIS GIALLO          | DECK YELLOW        | CHÂSSIS JAUNE               | GEHÄUSE GELBES   | RL 430  |
| -   | 81001515/ 0 | 1    | CHASSIS VERDE           | DECK GREEN         | CHÂSSIS VERT                | GEHÄUSE GRÜNES   | RL 430  |
| -   | 81001028/ 0 | 1    | CHASSIS ROSSO           | DECK RED           | CHÂSSIS ROUGE               | GEHÄUSE ROTES    | RL 480  |
| -   | 81001011/ 0 | 1    | CHASSIS GIALLO          | DECK YELLOW        | CHÂSSIS JAUNE               | GEHÄUSE GELBES   | RL 480  |
| -   | 81001516/ 0 | 1    | CHASSIS VERDE           | DECK GREEN         | CHÂSSIS VERT                | GEHÄUSE GRÜNES   | RL 480  |
| 2   | 12293200/ 0 | 4    | DADO                    | NUT                | ECROU                       | MUTTER           |   |
| 3   | 22399900/ 0 | 4    | MANOPOLINA              | KNOB               | POIGNÉE                     | GRIFF            |   |
| 4   | 12155000/ 0 | 2    | DADO                    | NUT                | ECROU                       | MUTTER           |   |
| 5   | 22551574/ 0 | 2    | PIASTRINA ESTERNA       | PLATE, OUTSIDE     | PLAQUETTE EXTERNE           | PLATTE, ÄUßERE   |   |
| 6   | 22551575/ 0 | 2    | PIASTRINA INTERNA       | PLATE, INSIDE      | PLAQUETTE INTERNE           | PLATTE, INNERE   |   |
| 7   | 12793300/ 0 | 2    | VITE                    | SCREW              | VIS                         | SCHRAUBE         |   |
| 8   | 12691115/ 0 | 2    | VITE                    | SCREW              | VIS                         | SCHRAUBE         |   |
| 9   | 22450410/ 1 | 1    | MOLLA DX                | RIGHT SPRING       | RESSORT DROITE              | RECHTE FEDER     |   |
| 10  | 22600028/ 4 | 1    | PARASASSI               | STONE-GUARD        | PARE-PIERRES                | PRALLBLECH       |   |
| 11  | 22450420/ 1 | 1    | MOLLA SX                | LEFT SPRING        | RESSORT GAUCHE              | LINKE FEDER      |   |
| 12  | 22517906/ 1 | 1    | PERNO                   | PIN                | PIVOT                       | BOLZEN           |   |
| 13  | 22192151/ 0 | 1    | FERMACAVO               | FAIR LEAD          | FIXATION CABLE              | KABELBEFESTIGUNG |   |
| 14  | 81006512/ 0 | 1    | MANICO, PARTE INFERIORE | HANDLE, LOWER PART | MANCHERON,PARTIE INFERIEURE | HOLM, UNTERTEIL  |   |
| 15  | 22680006/ 1 | 2    | RONDELLA                | WASHER             | RONDELLE                    | SCHEIBE          |   |
| 16  | 12819201/ 0 | 2    | VITE                    | SCREW              | VIS                         | SCHRAUBE         |   |
| 17  | 22192000/ 1 | 2    | FASCETTA ANCORAGGIO     | ANCHOR CLAMP       | COLLIER ANCRAGE             | BOWDENZUGHALTER  |   |
| 18  | 18710572/ 0 | 1    | SALVAMOTORE             | DEAD HAND SWITCH   | INT. MAIN MORTE             | TOT MANSCHALTER  | MM. 10 A 603 MS (1600W)<br>ONLY FOR SWITZERLAND       |
| -   | 18710563/ 0 | 1    | SALVAMOTORE             | DEAD HAND SWITCH   | INT. MAIN MORTE             | TOT MANSCHALTER  | MM. 8,5 A 603 MS (1300W /BME)<br>ONLY FOR SWITZERLAND |

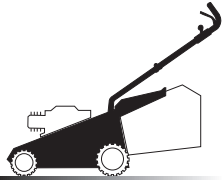
|     |             |   |                         |                    |                              |                  |                                |
|-----|-------------|---|-------------------------|--------------------|------------------------------|------------------|--------------------------------|
| -   | 18710604/ 0 | 1 | SALVAMOTORE             | DEAD HAND SWITCH   | INT. MAIN MORTE              | TOT MANSCHALTER  | MM.10A 602 MS (1600W)          |
| -   | 18710628/ 0 | 1 | SALVAMOTORE             | DEAD HAND SWITCH   | INT. MAIN MORTE              | TOT MANSCHALTER  | MM.10A 607 MS (1600W)          |
| -   | 18710562/ 0 | 1 | SALVAMOTORE             | DEAD HAND SWITCH   | INT. MAIN MORTE              | TOT MANSCHALTER  | MM.8,5A 602 MS (1300W (BIMEI)) |
| -   | 18710624/ 1 | 1 | SALVAMOTORE             | DEAD HAND SWITCH   | INT. MAIN MORTE              | TOT MANSCHALTER  | MM.8,5A 607 MS (1300W (BIMEI)) |
| 19  | 22195101/ 1 | 1 | FERMACAVO               | FAIR LEAD          | FIXATION CABLE               | KABELBEFESTIGUNG |                                |
| 20  | 81007017/ 1 | 1 | MANICO, PARTE SUPERIORE | HANDLE, UPPER PART | MANCHERON, PARTIE SUPERIEURE | HOLM, OBERTEIL   |                                |
| 21  | 81002057/ 0 | 1 | CAPOTTINA               | COVER              | CAPOT                        | HAUBE            |                                |
| 21A | 81002059/ 0 | 1 | CAPOTTINA               | COVER              | CAPOT                        | HAUBE            |                                |
| 22  | 12728680/ 0 | 2 | VITE                    | SCREW              | VIS                          | SCHRAUBE         |                                |
| 23  | 12000930/ 0 | 1 | ANELLO ELASTICO         | SNAP RING          | ANNEAU RESSORT               | SPRENGRING       |                                |

|   |             |  |                   |                |                   |                 |  |
|---|-------------|--|-------------------|----------------|-------------------|-----------------|--|
| - | 81008596/ 1 |  | DOTAZIONE VITERIA | OUTFIT, SCREWS | DOTATION VISSERIE | SATZ, SCHRAUBEN |  |
|---|-------------|--|-------------------|----------------|-------------------|-----------------|--|

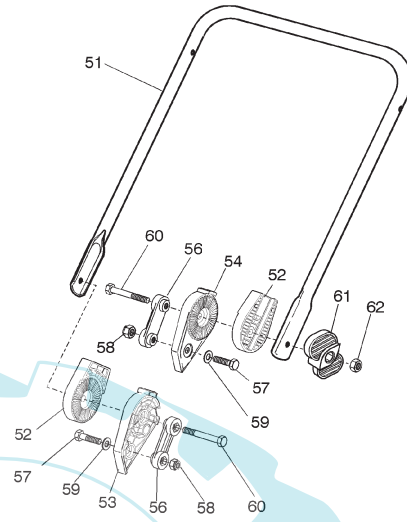
H 350  
K 350  
K 390  
C 350  
C 390  
NG 410 / 410 S  
NG 460  
NG 414  
NG 464  
NG 464 TR  
NG 464 TR-E  
NG 504  
NG 504 TR  
NG 504 TR-E  
R 430 / 430 S  
R 480  
R 430 TR  
R 434  
R 484  
R 534  
R 484 TR / TR-E  
R 534 TR / TR-E  
RL 430 / 430 S  
RL 480  
RL 430 TR  
RL 434  
RL 484  
RL 534  
RL 484 TR  
RL 484 TR-E  
RL 534 TR  
RL 534 TR-E  
TD 430 / 430 S  
TD 480  
TD 430 TR  
TD 434  
TD 484  
TD 534  
TD 484 TR  
TD 484 TR-E  
TD 534 TR  
TD 534 TR-E  
TDL 430 / 430 S  
TDL 480  
TDL 430 TR  
TDL 434  
TDL 484  
TDL 534  
TDL 484 TR  
TDL 484 TR-E  
TDL 534 TR  
TDL 534 TR-E  
CA 430  
CA 480  
CA 434  
CA 484  
CA 534  
CA 430 TR  
CA 434 TR  
CA 484 TR / TR-E  
CA 534 TR / TR-E  
CAL 430  
CAL 480  
CAL 434  
CAL 484  
CAL 534  
CAL 430 TR  
CAL 434 TR  
CAL 484 TR / TR-E  
CAL 534 TR / TR-E  
T 430 / 430 S  
T 480  
T 434  
T 484  
T 484 TR  
T 484 TR-E  
PAN 504  
PAN 504 TR  
PAN 504 TR-E  
PAN 504 TR-E 3S  
PAN 504 TR 3S  
NP 534  
NP 534 TR  
NP 534 TR-E  
NP 534 TR 3S  
NP 534 TR-E 3S  
S 474 L



1



01D.002



VARIANTE REGOLAZIONE MANICO - HANDLE ADJUSTMENT VARIANT - VARIANTE REGLAGE POIGNEE - GRIFFEINSTELLVARIANTE

| Pos | Code       | Q.ty | Descrizione             | Description             | Description                  | Beschreibung          |
|-----|------------|------|-------------------------|-------------------------|------------------------------|-----------------------|
| 51  | 81006510/0 | 1    | MANICO, PARTE INFERIORE | HANDLE, LOWER PART      | MANCHERON, PARTIE INFERIEURE | HOLM, UNTERTEIL       |
| 52  | 22785081/0 | 2    | SUPPORTO ESTERNO        | SUPPORT, EXTERNAL       | SUPPORT EXTERNE              | HALTER, AUßERE        |
| 53  | 22785082/0 | 1    | SUPPORTO INTERNO DX     | SUPPORT, RIGHT INTERNAL | SUPPORT INTERNE DROIT        | HALTER, INNERE RECHTS |
| 54  | 22785083/1 | 1    | SUPPORTO INTERNO SX     | SUPPORT, LEFT INTERNAL  | SUPPORT INTERNE GAUCHE       | HALTER, INNERE LINKS  |
| 56  | 22551575/0 | 2    | PIASTRINA INTERNA       | PLATE, INSIDE           | PLAQUETTE INTERNE            | PLATTE, INNERE        |
| 57  | 12793701/0 | 2    | VITE                    | SCREW                   | VIS                          | SCHRAUBE              |
| 58  | 12155000/0 | 2    | DADO                    | NUT                     | ECROU                        | MUTTER                |
| 59  | 12521350/0 | 2    | RONDELLA                | WASHER                  | RONDELLE                     | SCHEIBE               |
| 60  | 12691810/0 | 2    | VITE                    | SCREW                   | VIS                          | SCHRAUBE              |
| 61  | 22399803/0 | 2    | MANOPOLINA              | KNOB                    | POIGNEE                      | GRIFF                 |
| 62  | 12293202/0 | 2    | DADO                    | NUT                     | ECROU                        | MUTTER                |
| -   | 81008622/0 | 1    | DOTAZIONE VITERIA       | OUTFIT, SCREWS          | DOTATION VISSERIE            | SATZ, SCHRAUBEN       |

01T.002

- H 350
- K 350
- K 390
- C 350
- C 390
- NG 410 / 410 S
- NG 460
- NG 414
- NG 464
- NG 464 TR
- NG 464 TR-E
- NG 504
- NG 504 TR
- NG 504 TR-E
- R 430 / 430 S
- R 480
- R 430 TR
- R 434
- R 484
- R 534
- R 484 TR / TR-E
- R 534 TR / TR-E
- RL 430 / 430 S
- RL 480
- RL 430 TR
- RL 434
- RL 484
- RL 534
- RL 484 TR
- RL 484 TR-E
- RL 534 TR
- RL 534 TR-E
- TD 430 / 430 S
- TD 480
- TD 430 TR
- TD 434
- TD 484
- TD 534
- TD 484 TR
- TD 484 TR-E
- TD 534 TR
- TD 534 TR-E
- TDL 430 / 430 S
- TDL 480
- TDL 430 TR
- TDL 434
- TDL 484
- TDL 534
- TDL 484 TR
- TDL 484 TR-E
- TDL 534 TR
- TDL 534 TR-E
- CA 430
- CA 480
- CA 434
- CA 484
- CA 534
- CA 430 TR
- CA 434 TR
- CA 484 TR / TR-E
- CA 534 TR / TR-E
- CAL 430
- CAL 480
- CAL 434
- CAL 484
- CAL 534
- CAL 430 TR
- CAL 434 TR
- CAL 484 TR / TR-E
- CAL 534 TR / TR-E
- T 430 / 430 S
- T 480
- T 434
- T 484
- T 484 TR
- T 484 TR-E
- PAN 504
- PAN 504 TR
- PAN 504 TR-E
- PAN 504 TR-E 3S
- PAN 504 TR 3S
- NP 534
- NP 534 TR
- NP 534 TR-E
- NP 534 TR 3S
- NP 534 TR-E 3S
- S 474 L

1

2

3

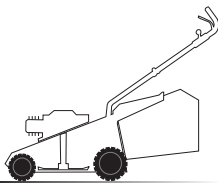
4

5

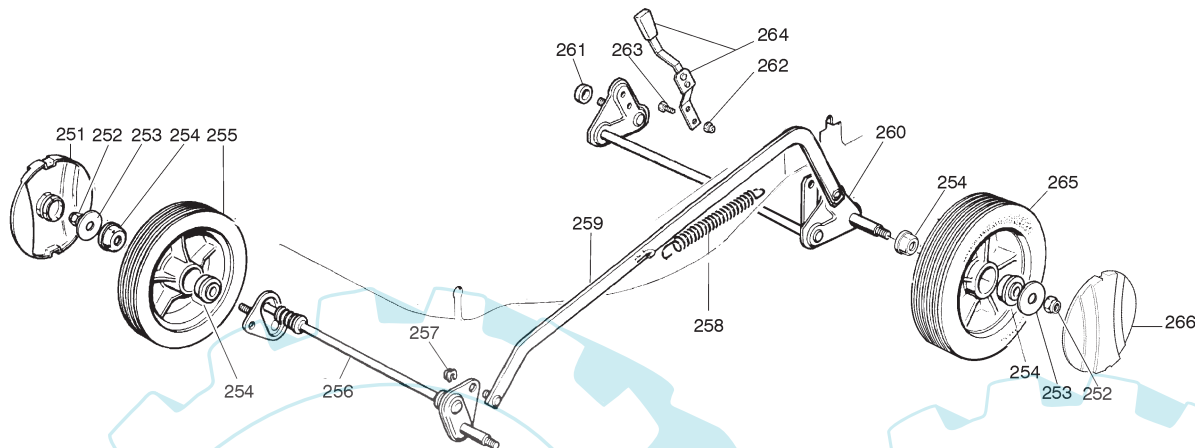
6

# 02T.021

2



02D.007



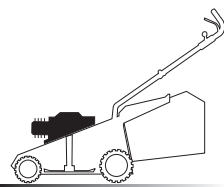
02T.021

| Pos | Code        | Q.ty | Descrizione                    | Description                       | Description                      | Beshreibung                |        |        |
|-----|-------------|------|--------------------------------|-----------------------------------|----------------------------------|----------------------------|--------|--------|
| 251 | 22110252/ 0 | 2    | COPRIMOZZO BIANCO              | HUB CAP WHITE                     | COUVRE-MOYEU BLANC               | RADKAPPE WEIÙE             | Ø 170  |        |
| 251 | 22110254/ 0 | 2    | COPRIMOZZO GIALLO              | HUB CAP YELLOW                    | COUVRE-MOYEU JAUNE               | RADKAPPE GELBE             | Ø 170  |        |
| 251 | 22110255/ 0 | 2    | COPRIMOZZO ROSSO               | HUB CAP RED                       | COUVRE-MOYEU ROUGE               | RADKAPPE ROTE              | Ø 170  |        |
| 252 | 12155000/ 0 | 2    | DADO                           | NUT                               | ECROU                            | MUTTER                     |        |        |
| 253 | 12523060/ 0 | 2    | RONDELLA                       | WASHER                            | RONDELLE                         | SCHEIBE                    |        |        |
| 254 | 22034508/ 0 | 4    | BUSSOLA                        | BUSH                              | DOUILLE                          | BÜCHSE                     |        |        |
| 255 | 81007326/ 0 | 2    | RUOTA Ø 170                    | WHEEL Ø 170                       | ROUE Ø 170                       | RAD Ø 170                  |        |        |
| 256 | 81001248/ 0 | 1    | ASSE RUOTE ANTERIORE           | AXLE, FRONT WHEELS                | AXE ROUES AVANT                  | ACHSE, VORDERRAD           | RL 430 | RL 430 |
| 256 | 81001250/ 0 | 1    | ASSE RUOTE ANTERIORE           | AXLE, FRONT WHEELS                | AXE ROUES AVANT                  | ACHSE, VORDERRAD           | RL 480 | RL 480 |
| 257 | 12436050/ 0 | 1    | PIASTRINA                      | PLATE                             | PLAQUETTE                        | PLÄTTCHEN                  |        |        |
| 258 | 22446180/ 0 | 2    | MOLLA                          | SPRING                            | RESSORT                          | FEDER                      |        |        |
| 259 | 81001244/ 0 | 1    | ASTA COMANDO<br>REGOL. ALTEZZA | ROD, HEIGHT<br>ADJUSTMENT CONTROL | HAUTEUR TIGE<br>COMMANDE REGLAGE | STANGE,<br>HÖHEVERSTELLUNG | RL 430 |        |
| 259 | 81001246/ 0 | 1    | ASTA COMANDO<br>REGOL. ALTEZZA | ROD, HEIGHT<br>ADJUSTMENT CONTROL | HAUTEUR TIGE<br>COMMANDE REGLAGE | STANGE,<br>HÖHEVERSTELLUNG | RL 480 |        |
| 260 | 81001254/ 0 | 1    | ASSE RUOTE POSTERIORE          | AXLE, REAR WHEELS                 | AXE ROUES ARRIERE                | ACHSE, HINTERRAD           |        |        |
| 261 | 22170800/ 0 | 1    | DISTANZIALE                    | SPACER                            | ENTRETOISE                       | DISTANZRING                |        |        |
| 262 | 12154320/ 0 | 2    | DADO                           | NUT                               | ECROU                            | MUTTER                     |        |        |
| 263 | 12789000/ 0 | 2    | VITE                           | SCREW                             | VIS                              | SCHRAUBE                   |        |        |
| 264 | 81003279/ 1 | 1    | LEVA REGOLAZIONE ALTEZZA       | LEVER, HEIGHT ADJUSTMENT          | LEVIER, REGLAGE HAUTEUR          | HEBEL, HÖHEVERSTELLUNG     |        |        |
| 265 | 81007328/ 0 | 2    | RUOTA Ø 210                    | WHEEL Ø 210                       | ROUE Ø 210                       | RAD Ø 210                  |        |        |
| 266 | 22110251/ 0 | 2    | COPRIMOZZO BIANCO              | HUB CAP WHITE                     | COUVRE-MOYEU BLANC               | RADKAPPE WEIÙE             | Ø 210  |        |
| 266 | 22110253/ 0 | 2    | COPRIMOZZO GIALLO              | HUB CAP YELLOW                    | COUVRE-MOYEU JAUNE               | RADKAPPE GELBE             | Ø 210  |        |
| 266 | 22110256/ 0 | 2    | COPRIMOZZO ROSSO               | HUB CAP RED                       | COUVRE-MOYEU ROUGE               | RADKAPPE ROTE              | Ø 210  |        |

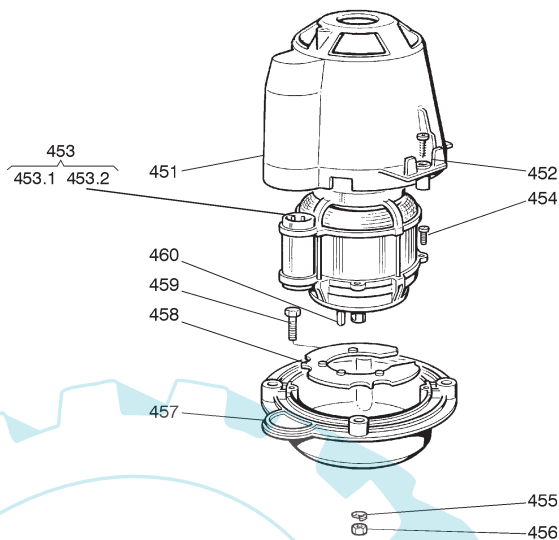
- H 350
- K 350
- K 390
- C 350
- C 390
- NG 410 / 410 S
- NG 460
- NG 414
- NG 464
- NG 464 TR
- NG 464 TR-E
- NG 504
- NG 504 TR
- NG 504 TR-E
- R 430 / 430 S
- R 480
- R 430 TR
- R 434
- R 484
- R 534
- R 484 TR / TR-E
- R 534 TR / TR-E
- RL 430 / 430 S
- RL 480
- RL 430 TR
- RL 434
- RL 484
- RL 534
- RL 484 TR
- RL 484 TR-E
- RL 534 TR
- RL 534 TR-E
- TD 430 / 430 S
- TD 480
- TD 430 TR
- TD 434
- TD 484
- TD 534
- TD 484 TR
- TD 484 TR-E
- TD 534 TR
- TD 534 TR-E
- TDL 430 / 430 S
- TDL 480
- TDL 430 TR
- TDL 434
- TDL 484
- TDL 534
- TDL 484 TR
- TDL 484 TR-E
- TDL 534 TR
- TDL 534 TR-E
- CA 430
- CA 480
- CA 434
- CA 484
- CA 534
- CA 430 TR
- CA 434 TR
- CA 484 TR / TR-E
- CA 534 TR / TR-E
- CAL 430
- CAL 480
- CAL 434
- CAL 484
- CAL 534
- CAL 430 TR
- CAL 434 TR
- CAL 484 TR / TR-E
- CAL 534 TR / TR-E
- T 430 / 430 S
- T 480
- T 434
- T 484
- T 484 TR
- T 484 TR-E
- PAN 504
- PAN 504 TR
- PAN 504 TR-E
- PAN 504 TR-E 3S
- PAN 504 TR 3S
- NP 534
- NP 534 TR
- NP 534 TR-E
- NP 534 TR 3S
- NP 534 TR-E 3S
- S 474 L

# 04T.001

4



04D.001

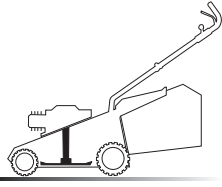


04T.001

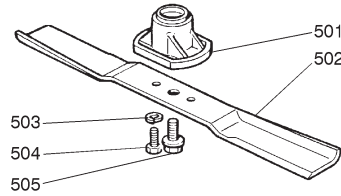
| Pos   | Code        | Q.ty | Descrizione                 | Description                | Description                 | Beschreibung               |
|-------|-------------|------|-----------------------------|----------------------------|-----------------------------|----------------------------|
| 451   | 22785061/ 0 | 1    | SUPPORTO CAPOTTINA          | SUPPORT, COVER             | SUPPORT CAPOT               | HALTER, HAUBE              |
| 452   | 12728710/ 0 | 4    | VITE                        | SCREW                      | VIS                         | SCHRAUBE                   |
| 453   | 18563008/ 0 | 1    | MOTORE RST 1300W (220-230V) | MOTOR RST 1300W (220-230V) | MOTEUR RST 1300W (220-230V) | MOTOR RST 1300W (220-230V) |
| -     | 18563009/ 0 | 1    | MOTORE RST 1600W (230V)     | MOTOR RST 1600W (230V)     | MOTEUR RST 1600W (230V)     | MOTOR RST 1600W (230V)     |
| -     | 18563047/ 2 | 1    | MOTORE IBMEI 1600W (240V)   | MOTOR IBMEI 1600W (240V)   | MOTEUR IBMEI 1600W(240V)    | MOTOR IBMEI 1600W (240V)   |
| -     | 18563061/ 2 | 1    | MOTORE IBMEI 1600W (230V)   | MOTOR IBMEI 1600W (230V)   | MOTEUR IBMEI 1600W (230V)   | MOTOR IBMEI 1600W (230V)   |
| -     | 18563068/ 1 | 1    | MOTORE IBMEI 1300W (230V)   | MOTOR IBMEI 1300W (230V)   | MOTEUR IBMEI 1300W (230V)   | MOTOR IBMEI 1300W (230V)   |
| -     | 18563069/ 1 | 1    | MOTORE IBMEI 1300W (240V)   | MOTOR IBMEI 1300W (240V)   | MOTEUR IBMEI 1300W (240V)   | MOTOR IBMEI 1300W (240V)   |
| 453.1 | 18740049/ 0 | 1    | VENTOLA PER MOTORE IBMEI    | FAN IBMEI MOTOR            | VENTILATEUR IBMEI MOTEUR    | LÜFTER IBMEI MOTOR         |
| -     | 18740051/ 0 | 1    | VENTOLA PER MOTORE RST      | FAN RST MOTOR              | VENTILATEUR RST MOTEUR      | LÜFTER RST MOTOR           |
| 453.2 | 18222037/ 0 | 1    | CONDENSATORE 16 µF          | CONDENSER 16 µF            | CONDENSEUR 16 µF            | KONDENSATOR 16 µF          |
| -     | 18222038/ 0 | 1    | CONDENSATORE 20 µF          | CONDENSER 20 µF            | CONDENSEUR 20 µF            | KONDENSATOR 20 µF          |
| 454   | 12735410/ 0 | 4    | VITE                        | SCREW                      | VIS                         | SCHRAUBE                   |
| 455   | 12583500/ 0 | 4    | GROWER                      | GROWER                     | GROWER                      | FEDERRING                  |
| 456   | 12293200/ 0 | 4    | DADO                        | NUT                        | ECROU                       | MÜTTER                     |
| 457   | 22207211/ 3 | 1    | FLANGIA                     | FLANGE                     | BRIDE                       | FLANSCH                    |
| 458   | 22720360/ 1 | 1    | SCHERMO VENTILAZIONE        | VENTILATION SCREEN         | ECRAN VENTILATION           | LÜFTUNGSSCHIRM             |
| 459   | 12793700/ 0 | 4    | VITE (M8x30)                | SCREW (M8x30)              | VIS (M8x30)                 | SCHRAUBE (M8x30)           |
| 460   | 12139440/ 0 | 1    | LINGUETTA                   | FEATHER                    | CLAVETTE                    | KEIL                       |

- H 350
- K 350
- K 390
- C 350
- C 390
- NG 410 / 410 S
- NG 460
- NG 414
- NG 464
- NG 464 TR
- NG 464 TR-E
- NG 504
- NG 504 TR
- NG 504 TR-E
- R 430 / 430 S
- R 480
- R 430 TR
- R 434
- R 484
- R 534
- R 484 TR / TR-E
- R 534 TR / TR-E
- RL 430 / 430 S
- RL 480
- RL 430 TR
- RL 434
- RL 484
- RL 534
- RL 484 TR
- RL 484 TR-E
- RL 534 TR
- RL 534 TR-E
- TD 430 / 430 S
- TD 480
- TD 430 TR
- TD 434
- TD 484
- TD 534
- TD 484 TR
- TD 484 TR-E
- TD 534 TR
- TD 534 TR-E
- TDL 430 / 430 S
- TDL 480
- TDL 430 TR
- TDL 434
- TDL 484
- TDL 534
- TDL 484 TR
- TDL 484 TR-E
- TDL 534 TR
- TDL 534 TR-E
- CA 430
- CA 480
- CA 434
- CA 484
- CA 534
- CA 430 TR
- CA 434 TR
- CA 484 TR / TR-E
- CA 534 TR / TR-E
- CAL 430
- CAL 480
- CAL 434
- CAL 484
- CAL 534
- CAL 430 TR
- CAL 434 TR
- CAL 484 TR / TR-E
- CAL 534 TR / TR-E
- T 430 / 430 S
- T 480
- T 434
- T 484
- T 484 TR
- T 484 TR-E
- PAN 504
- PAN 504 TR
- PAN 504 TR-E
- PAN 504 TR-E 3S
- PAN 504 TR 3S
- NP 534
- NP 534 TR
- NP 534 TR-E
- NP 534 TR 3S
- NP 534 TR-E 3S
- S 474 L

# 5



06D.001



05T.006

| Pos | Code        | Q.ty | Descrizione       | Description    | Description   | Beschreibung          |
|-----|-------------|------|-------------------|----------------|---------------|-----------------------|
| 501 | 22463186/ 2 | 1    | MOZZO             | HUB            | MOYEU         | HALTER                |
| 502 | 81004341/ 2 | 1    | COLTELLO STANDARD | BLADE STANDARD | LAME STANDARD | MESSER STANDARD 41 cm |
| -   | 81004346/ 2 | 1    | COLTELLO STANDARD | BLADE STANDARD | LAME STANDARD | MESSER STANDARD 46 cm |
| -   | 81004396/ 0 | 1    | COLTELLO ALETTATO | BLADE WINGED   | LAME AILETTÉE | MESSER FLÜGEL 41 cm   |
| -   | 81004397/ 0 | 1    | COLTELLO ALETTATO | BLADE WINGED   | LAME AILETTÉE | MESSER FLÜGEL 46 cm   |
| 503 | 12583500/ 0 | 2    | GROWER            | GROWER         | GROWER        | FEDERRING             |
| 504 | 12793101/ 0 | 2    | VITE              | SCREW          | VIS           | SCHRAUBE              |
| 505 | 81004352/ 0 | 1    | VITE              | SCREW          | VIS           | SCHRAUBE              |

- H 350
- K 350
- K 390
- C 350
- C 390
- NG 410 / 410 S
- NG 460
- NG 414
- NG 464
- NG 464 TR
- NG 464 TR-E
- NG 504
- NG 504 TR
- NG 504 TR-E
- R 430 / 430 S
- R 480
- R 430 TR
- R 434
- R 484
- R 534
- R 484 TR / TR-E
- R 534 TR / TR-E
- RL 430 / 430 S
- RL 480
- RL 430 TR
- RL 434
- RL 484
- RL 534
- RL 484 TR
- RL 484 TR-E
- RL 534 TR
- RL 534 TR-E
- TD 430 / 430 S
- TD 480
- TD 430 TR
- TD 434
- TD 484
- TD 534
- TD 484 TR
- TD 484 TR-E
- TD 534 TR
- TD 534 TR-E
- TDL 430 / 430 S
- TDL 480
- TDL 430 TR
- TDL 434
- TDL 484
- TDL 534
- TDL 484 TR
- TDL 484 TR-E
- TDL 534 TR
- TDL 534 TR-E
- CA 430
- CA 480
- CA 434
- CA 484
- CA 534
- CA 430 TR
- CA 434 TR
- CA 484 TR / TR-E
- CA 534 TR / TR-E
- CAL 430
- CAL 480
- CAL 434
- CAL 484
- CAL 534
- CAL 430 TR
- CAL 434 TR
- CAL 484 TR / TR-E
- CAL 534 TR / TR-E
- T 430 / 430 S
- T 480
- T 434
- T 484
- T 484 TR
- T 484 TR-E
- PAN 504
- PAN 504 TR
- PAN 504 TR-E
- PAN 504 TR-E 3S
- PAN 504 TR 3S
- NP 534
- NP 534 TR
- NP 534 TR-E
- NP 534 TR 3S
- NP 534 TR-E 3S
- S 474 L

1

2

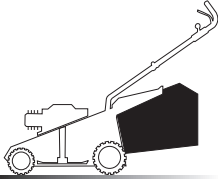
3

4

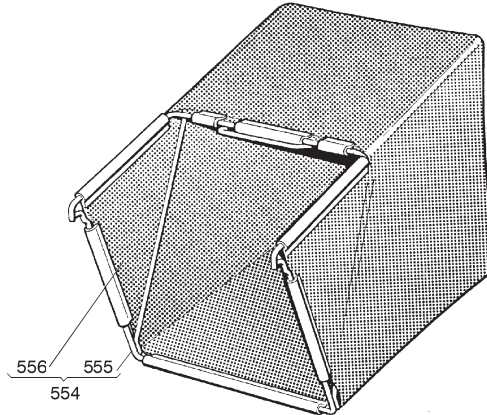
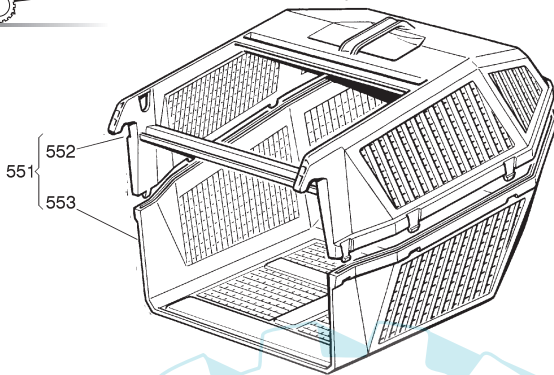
5

6

# 6



06D.001



06T.001

| Pos | Code       | Q.ty | Descrizione             | Description                    | Description            | Beshreibung     |
|-----|------------|------|-------------------------|--------------------------------|------------------------|-----------------|
| 551 | 98005000/1 | 1    | SACCO, COMPLETO         | GRASSCATCHER, COMPLETI         | SAC, COMPLETE          | SACK, KOMPLETTE |
| 552 | 22486076/0 | 1    | SACCO, PARTE SUPERIORE  | GRASS-BOX, UPPER PART          | SAC, PARTIE SUPERIEURE | KORB, OBERTEIL  |
| 553 | 22486077/0 | 1    | SACCO, PARTE INFERIORE  | GRASS-BOX, LOWER PART          | SAC, PARTIE INFERIEURE | KORB, UNTERTEIL |
| 554 | 98004000/0 | 1    | SACCO IN TELA, COMPLETO | GRASSCATCHER, CANVASS COMPLETE | SAC EN TOILE, COMPLETE | SACK, KOMPLETTE |
| 555 | 81006408/0 | 1    | TELAIO SACCO            | CHASSIS BOX                    | CHÂSSIS BAC            | RAHMEN SACK     |
| 556 | 81002105/2 | 1    | SACCO, TELA             | BOX, FABRIC                    | SAC, TOILE             | SACK, TUCK      |

- H 350
- K 350
- K 390
- C 350
- C 390
- NG 410 / 410 S
- NG 460
- NG 414
- NG 464
- NG 464 TR
- NG 464 TR-E
- NG 504
- NG 504 TR
- NG 504 TR-E
- R 430 / 430 S
- R 480
- R 430 TR
- R 434
- R 484
- R 534
- R 484 TR / TR-E
- R 534 TR / TR-E
- RL 430 / 430 S
- RL 480
- RL 430 TR
- RL 434
- RL 484
- RL 534
- RL 484 TR
- RL 484 TR-E
- RL 534 TR
- RL 534 TR-E
- TD 430 / 430 S
- TD 480
- TD 430 TR
- TD 434
- TD 484
- TD 534
- TD 484 TR
- TD 484 TR-E
- TD 534 TR
- TD 534 TR-E
- TDL 430 / 430 S
- TDL 480
- TDL 430 TR
- TDL 434
- TDL 484
- TDL 534
- TDL 484 TR
- TDL 484 TR-E
- TDL 534 TR
- TDL 534 TR-E
- CA 430
- CA 480
- CA 434
- CA 484
- CA 534
- CA 430 TR
- CA 434 TR
- CA 484 TR / TR-E
- CA 534 TR / TR-E
- CAL 430
- CAL 480
- CAL 434
- CAL 484
- CAL 534
- CAL 430 TR
- CAL 434 TR
- CAL 484 TR / TR-E
- CAL 534 TR / TR-E
- T 430 / 430 S
- T 480
- T 434
- T 484
- T 484 TR
- T 484 TR-E
- PAN 504
- PAN 504 TR
- PAN 504 TR-E
- PAN 504 TR-E 3S
- PAN 504 TR 3S
- NP 534
- NP 534 TR
- NP 534 TR-E
- NP 534 TR 3S
- NP 534 TR-E 3S
- S 474 L

1

2

3

4

5

6